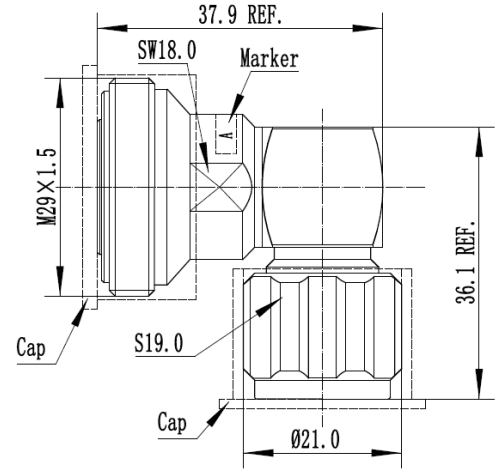




**716F-R-NM**

Coaxial Adapter 7-16 Female - N Male with right angle

Coaxial Adapter 7-16 Female - N Male with right angle  
 FEATURES / BENEFITS



External Document Links

Notes

**Technical features**

**STRUCTURE**

|              |  |                          |
|--------------|--|--------------------------|
| Product Line |  | Coaxial Cable Components |
| Product Type |  | Coaxial Adapter          |

**MECHANICAL SPECIFICATIONS**

|                            |  |                                |
|----------------------------|--|--------------------------------|
| Connector A                |  | 7-16 Female                    |
| Center Contact Connector A |  | Phosphor Bronze, silver plated |
| Outer Contact Connector A  |  | Brass, Tri metal alloy plated  |
| Connector B                |  | N Male                         |
| Center Contact Connector B |  | Phosphor Bronze, silver plated |
| Outer Contact Connector B  |  | Brass, Tri metal alloy plated  |
| Dielectric                 |  | PTFE                           |
| Sealing class              |  | IP68, connected                |

**ELECTRICAL SPECIFICATIONS**

|                                   |           |  |
|-----------------------------------|-----------|--|
| Frequency Range - MHz             |           | DC - 6000  |
| VSWR, Return Loss                 | VSWR (dB) | DC TO 2 GHz VSWR 1.05 (32.25)<br>2 TO 3 GHz VSWR 1.08 (28.3)<br>3 TO 6 GHz VSWR 1.12 (24.94) |
| Insertion Loss, dB (Max)          | dB        | 0.05   |
| 3rd Order IM Product @ 2x20 Watts | dBc       | < -163   |

**TEMPERATURE SPECIFICATIONS**

|                       |         |                        |
|-----------------------|---------|------------------------|
| Operation Temperature | °C (°F) | -40 to 85 (-40 to 185) |
|-----------------------|---------|------------------------|

**PACKAGING INFORMATION**

|                  |  |   |
|------------------|--|---|
| Package Quantity |  | 1 |
|------------------|--|---|



PRODUCT DATASHEET

## 716F-R-NM

Coaxial Adapter 7-16 Female - N Male with right angle

